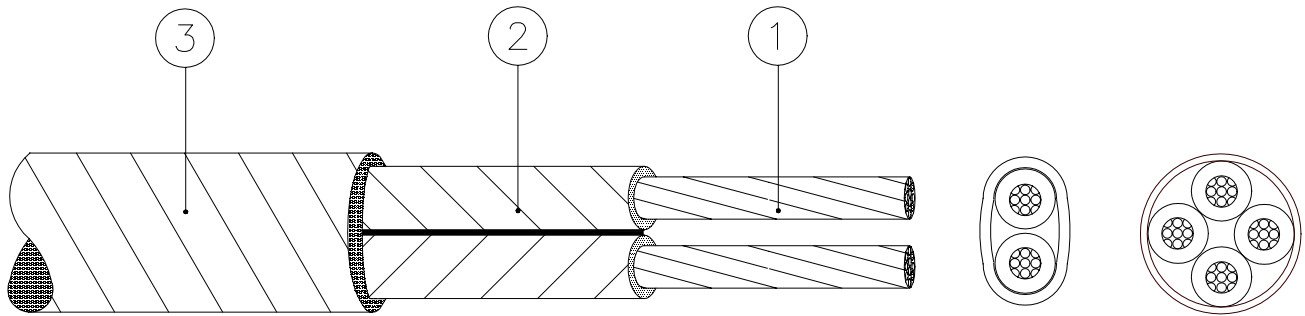


Type

**TTC**

class C ( 250 °C )



- 1 – Flexible conductor
- 2 – P.T.F.E. tape
- 3 - P.T.F.E. tape

- Alloys temperature range
- Temperature range of the materials of isolation
- Behaviour in presence of flame
- Impermeability
- Colouring of cable
- Conductor
- Cable
- Technical data

consult “Table Technical Alloys”  
from – 100 C° to + 260 C°  
no flame propagating-self extinguishing  
excellent resistance to water  
completely coloured  
on request can be massive,rigid  
can be flat or twisted  
consult “Table Technical Alloys”

Nominal section	Stranding	Outer diameter	Type
2 x 0,22	7 x 0,20	1,20 x 2,00 ± 0,15	<b>Jx Kx Wx</b>
2 x 0,35	11 x 0,20	1,40 x 2,40 ± 0,15	
2 x 0,50	6 x 0,32 o 16 x 0,20	1,55 x 2,70 ± 0,15	
2 x 0,80	10 x 0,32	1,85 x 3,30 ± 0,15	
2 x 1,00	12 x 0,32	1,95 x 3,50 ± 0,15	
4 x 0,22	7 x 0,20	2,00 ± 0,15	
4 x 0,35	11 x 0,20	2,40 ± 0,15	
4 x 0,50	6 x 0,32 o 16 x 0,20	2,70 ± 0,15	
4 x 0,80	10 x 0,32	3,30 ± 0,15	
4 x 1,00	12 x 0,32	3,50 ± 0,15	